

**VAL-CP-1S-175**

Order No.: 2859479



Pluggable type 2 arrester (surge arrester) for 1-phase current supply networks with separate N and PE (3-conductor system: L1, N, PE), with remote indication contact. Overall width: 24 mm.



Commercial data	
EAN	4046356045476
Pack	1 pcs.
Customs tariff	85369010
Weight/Piece	0.2213 KG
Catalog page information	Page 31 (TT-2007)

## Product notes

WEEE/RoHS-compliant since:  
07/12/2006



Technical data	
<b>Standards</b>	
Housing material	PBT
Inflammability class acc. to UL 94	V0
Color	gray

Standards for air and creepage distances	DIN VDE 0110-1
	IEC 60664-1: 1992-10
	IEC 61643-11
	UL 1449
	IEEE C62.1
	IEEE C62.45
	IEC 61643-1
Surge voltage category	III
Pollution degree	2
Degree of protection	IP20
Mounting type	DIN rail 35 mm
Design	DIN rail module, two-section, divisible
Number of positions	2
Ambient temperature (operation)	-40 °C ... 80 °C
Message surge protection faulty	Optical, remote indicator contact
Direction of action	1L-N & N-PE
Width	25.30 mm
Height	70.00 mm
Length	98.50 mm

**Protective circuit**

IEC category	II
EN type	T2
Nominal voltage $U_N$	120 V AC
Arrester rated voltage $U_C$ (L-N)	175 V AC
Arrester rated voltage $U_C$ (N-PE)	150 V AC
Nominal frequency $f_N$	50 Hz
	60 Hz
Rated load current	40 A (40 A ... 63 A)
Discharge current to PE at $U_C$	$\leq 1 \mu\text{A}$
Max. discharge surge current $I_{\text{max}}$ (8/20) $\mu\text{s}$ maximum (L-N)	40 kA
Max. discharge surge current $I_{\text{max}}$ (8/20) $\mu\text{s}$ maximum (N-PE)	40 kA
Nominal discharge surge current $I_n$ (8/20) $\mu\text{s}$ (L-N)	20 kA
Nominal discharge surge current $I_n$ (8/20) $\mu\text{s}$ (N-PE)	20 kA

Impulse operate voltage at 6 kV (1.2/50) $\mu$ s (N-PE)	$\leq 950$ V
Protection level $U_p$ (L-N)	$\leq 850$ V
Protection level $U_p$ (N-PE)	$\leq 950$ V
Residual voltage (L-N)	$\leq 600$ V (at 5 kA)
Residual voltage (L-PE)	$\leq 700$ V (at 5 kA)
Residual voltage (N-PE)	$\leq 200$ V (at 5 kA)
Clamping voltage SVR (L-N)	$\leq 500$ V
Clamping voltage SVR (L-PE)	$\leq 1$ kV
Clamping voltage SVR (N-PE)	$\leq 800$ V
Response time (L-N)	$\leq 25$ ns
Response time (L-PE)	$\leq 100$ ns
Response time (N-PE)	$\leq 100$ ns
Max. required backup fuse with branch wiring	125 A (gL/gG)
Short circuit resistance $I_{CC}$ with max. backup fuse (effective)	25 kA

**Connection, protective circuit**

Type of connection	Screw connection
Connection type IN	Biconnect screw terminal block
Connection type OUT	Biconnect screw terminal block
Connection system	Biconnect terminal block
Screw thread	M5
Tightening torque, min	4.5 Nm
Stripping length	16 mm
Conductor cross section stranded min.	2.5 mm <sup>2</sup>
Conductor cross section stranded max.	16 mm <sup>2</sup>
Conductor cross section solid min.	2.5 mm <sup>2</sup>
Conductor cross section solid max.	25 mm <sup>2</sup>
Conductor cross section AWG/kcmil min.	12
Conductor cross section AWG/kcmil max	4

**Remote indicator contact**

Connection name	Remote fault indicator contact
Schaltfunktion_Int	PDT contact
Type of connection	Pluggable screw connection
Screw thread	M2
Tightening torque, min	0.25 Nm

Stripping length	7 mm
Conductor cross section stranded min.	0.14 mm <sup>2</sup>
Conductor cross section stranded max.	1.5 mm <sup>2</sup>
Conductor cross section solid min.	0.14 mm <sup>2</sup>
Conductor cross section solid max.	1.5 mm <sup>2</sup>
Conductor cross section AWG/kcmil min.	28
Conductor cross section AWG/kcmil max	16
Maximum operating voltage U <sub>max</sub> AC	250 V AC
Maximum operating voltage U <sub>max</sub> DC	125 V DC
Max. operating current I <sub>max</sub>	1 A AC (inductive)
	1 A AC (ohmic)
	30 mA DC (inductive)
	0.2 A DC (ohmic)
Min. permissible switching capacity	0.12 VA (12 V, 10 mA)

#### Environmental conditions

Standards/regulations	IEC 61643-1
	EN 61643-11
	UL 1449
	IEEE C62.1
	IEEE C62.45
	IEEE C62.34

#### Certificates / Approvals



Certification

CB, CUL, GOST, KEMA, UL

#### Accessories

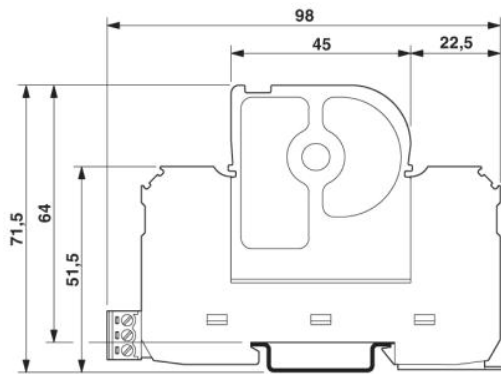
Item	Designation	Description
<b>Bridges</b>		
2880684	MPB SET VAL-CP-3S	Wiring bridge set, consisting of three flexible bridges 15 cm black, 1 bridge 27 cm blue.

**Marking**

0811228	X-PEN 0,35	Marker pen without ink cartridge, for manual labeling of markers, labeling extremely wipe-proof, line thickness 0.35 mm
0810038	ZBF 12:SO/CMS	Zack marker strip, flat, in 12 mm pitch, printed according to customer requirements, 5-section, divisible, color: white
0809735	ZBF 12:UNBEDRUCKT	Zack strip, flat, unprinted, 5-section, divisible, for labeling by the customer
0803595	ZBFM 5/WH:UNBEDRUCKT	Zack marker sheet, flat, unprinted: 120-section, 10 strips à 12 markers, sufficient for 120 terminal blocks, for all terminal blocks, pitch 5.2 mm, labeling with M-PEN or CMS system, color: white

**Drawings**

Dimensioned drawing



Circuit diagram

